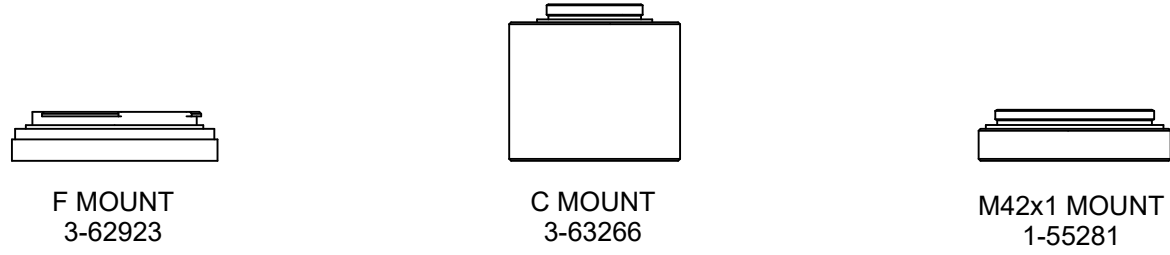
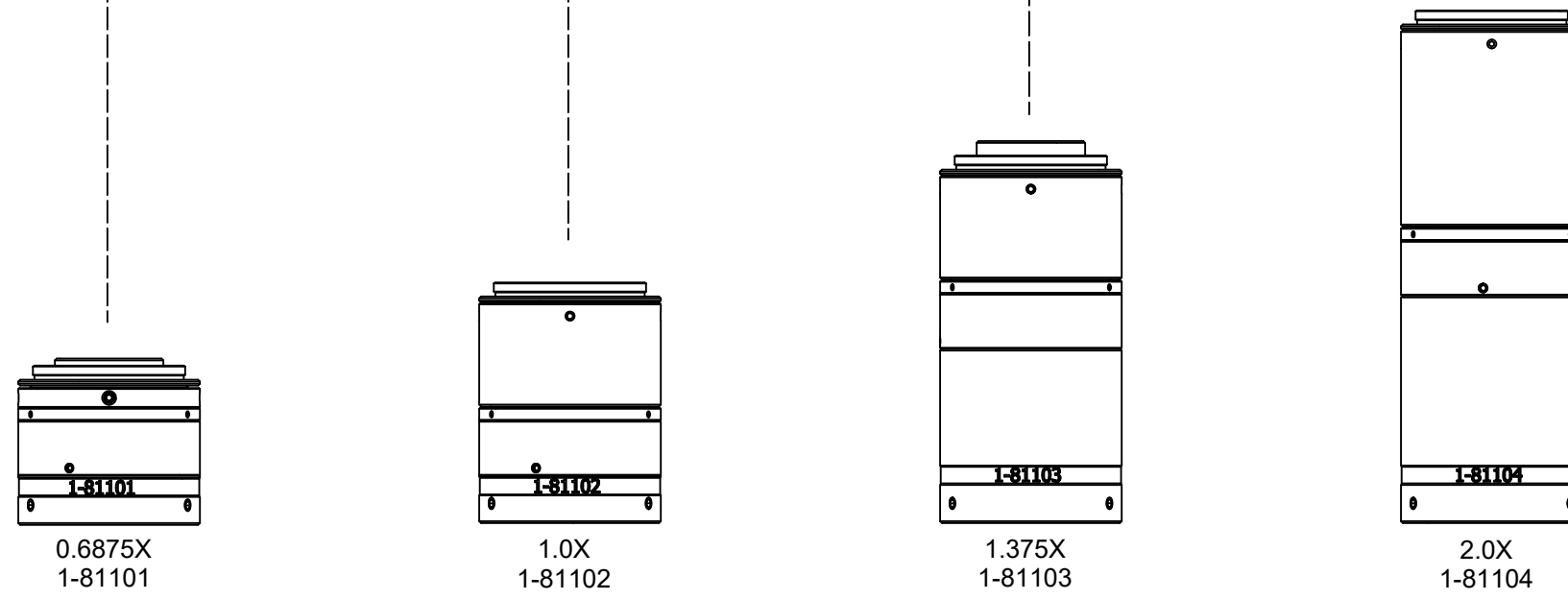


# RESOLV4K SYSTEM DIAGRAM

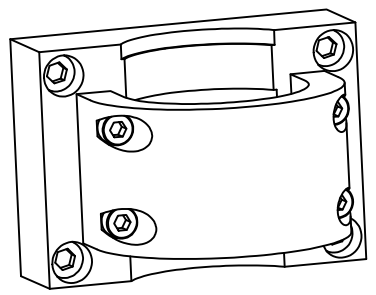
## CAMERA MOUNTS



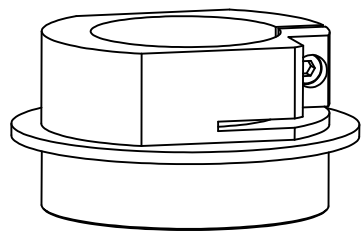
## ADAPTERS



**Upper Interface Options:**  
1-81302: 90° Fold  
1-81314: Adjustable Iris

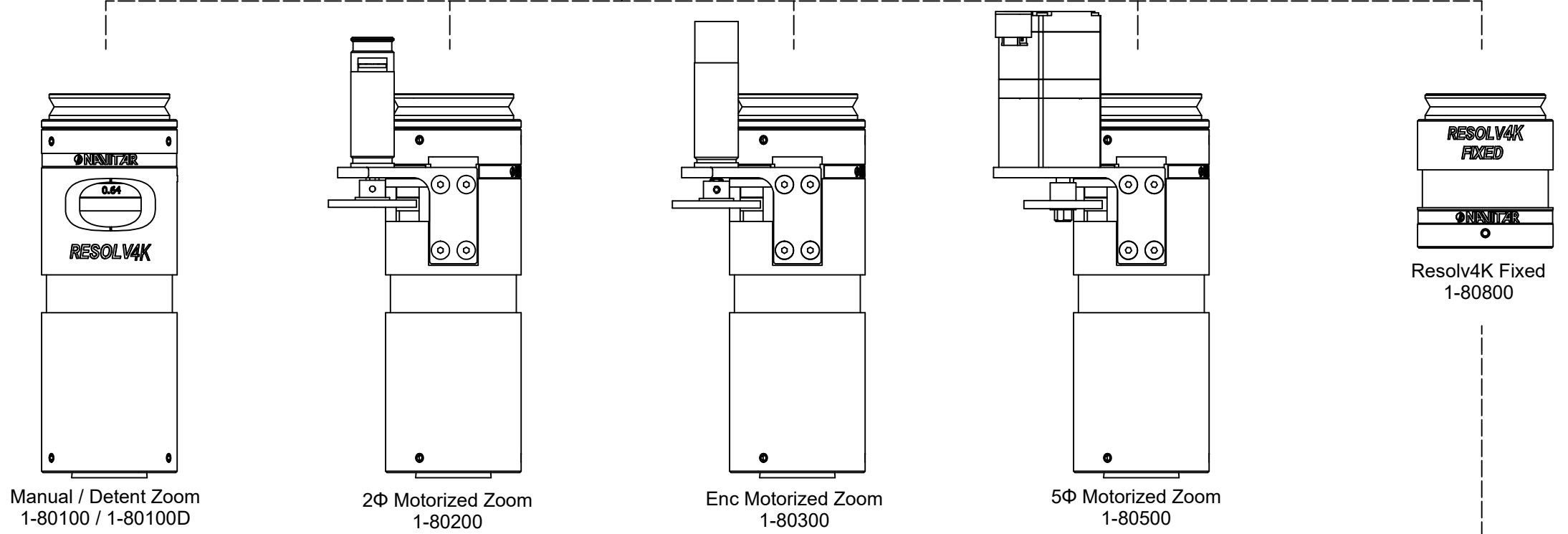


FLAT MOUNT, METRIC /INCH  
1-80370 / 1-80371

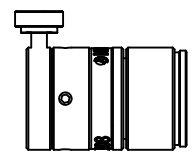


SPLIT CLAMP, Ø76mm  
1-80372

## CORE ZOOMS & FIXED

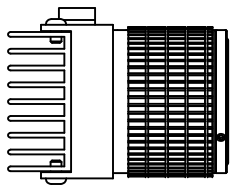


**Fiber Input Options:**  
1-81408: 8mm Fiber  
1-81410: 10mm Fiber  
1-81412: 12mm Fiber

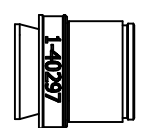


Fiber Light Input

**LED Light Options:**  
See Adjustable Coaxial  
LED Assemblies Section

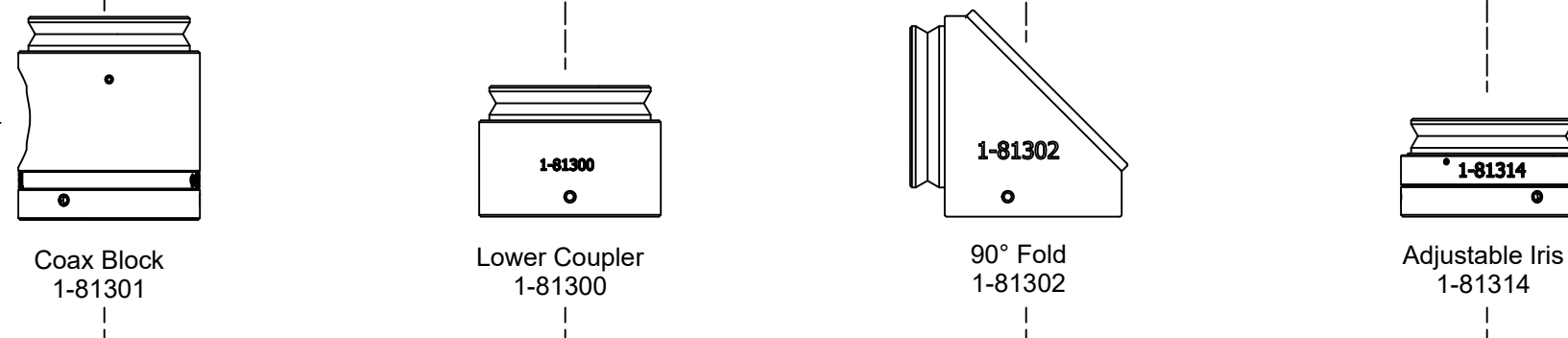


Adjustable LED  
Illuminator

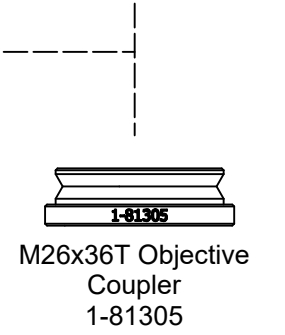


Resolv4K LED Coupler  
1-40297

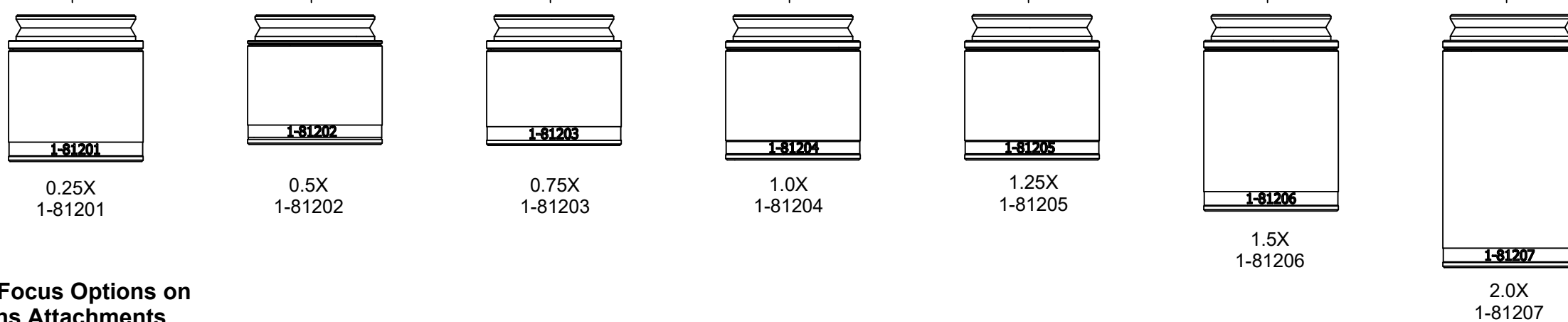
## LOWER INTERFACES



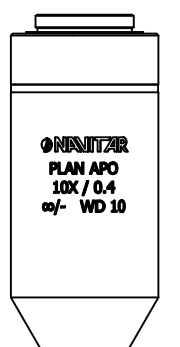
## UltraZoom



## LENS ATTACHMENTS



Navitar HR  
Infinity Corrected Objectives



### Fine Focus Options on Lens Attachments

- M1 Manual FF
- M2 2Φ Motorized FF
- M3 Encoded Motor FF
- M5 5Φ Motorized FF
- e.g. 1-81204M2:
- 2Φ Motorized 1X LA